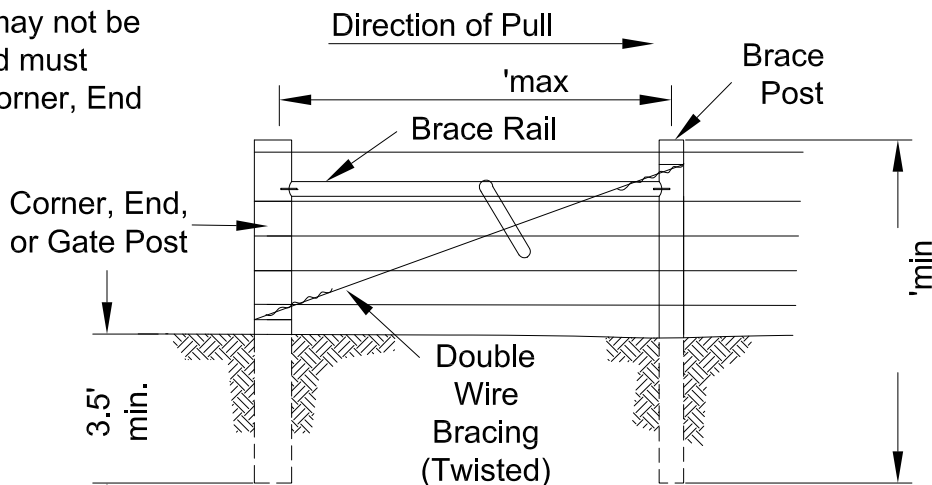


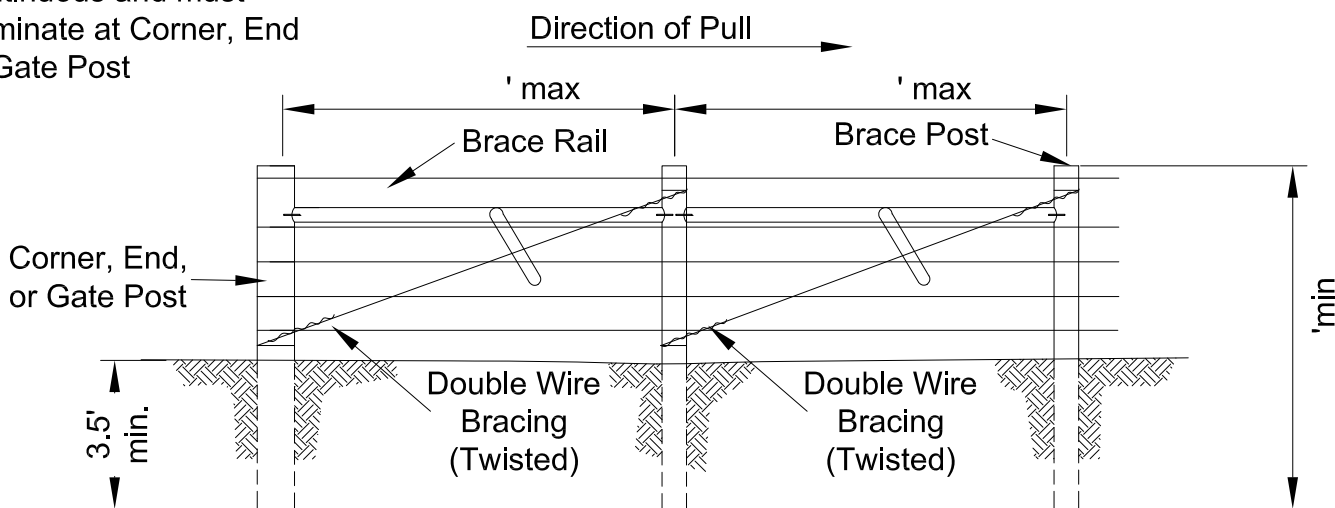
HIGH TENSILE SMOOTH WIRE FENCE BRACES

NOTE: Lines may not be continuous and must terminate at Corner, End or Gate Post



SINGLE SPAN BRACE ASSEMBLY
(At Corners, Ends, or Gates)

NOTE: Lines may not be continuous and must terminate at Corner, End or Gate Post



DOUBLE SPAN BRACE ASSEMBLY
(At Corners, Ends, or Gates)

All Corner, End, and Gate Posts: min. 6 in. diam. or 6 in. square.

All Brace Posts: min. 5 in. diam. or 5 in. square.

Brace Rails (steel): min. 2 in. diam. Brace Rails (wooden): min. 4 in. diam. or 4 in. square.

SPECIES AND TREATMENT FOR ALL WOOD: Use untreated durable posts of species such as red cedar, black locust, or white oak with bark removed, or non-durable wood that is preservative pressure treated (AWPA UC4A, Ground Contact, General Use). Do not use red pine.

SPECIAL INSTRUCTIONS:

Drawing not to scale. Standardized drawing must be adapted to the specific site.